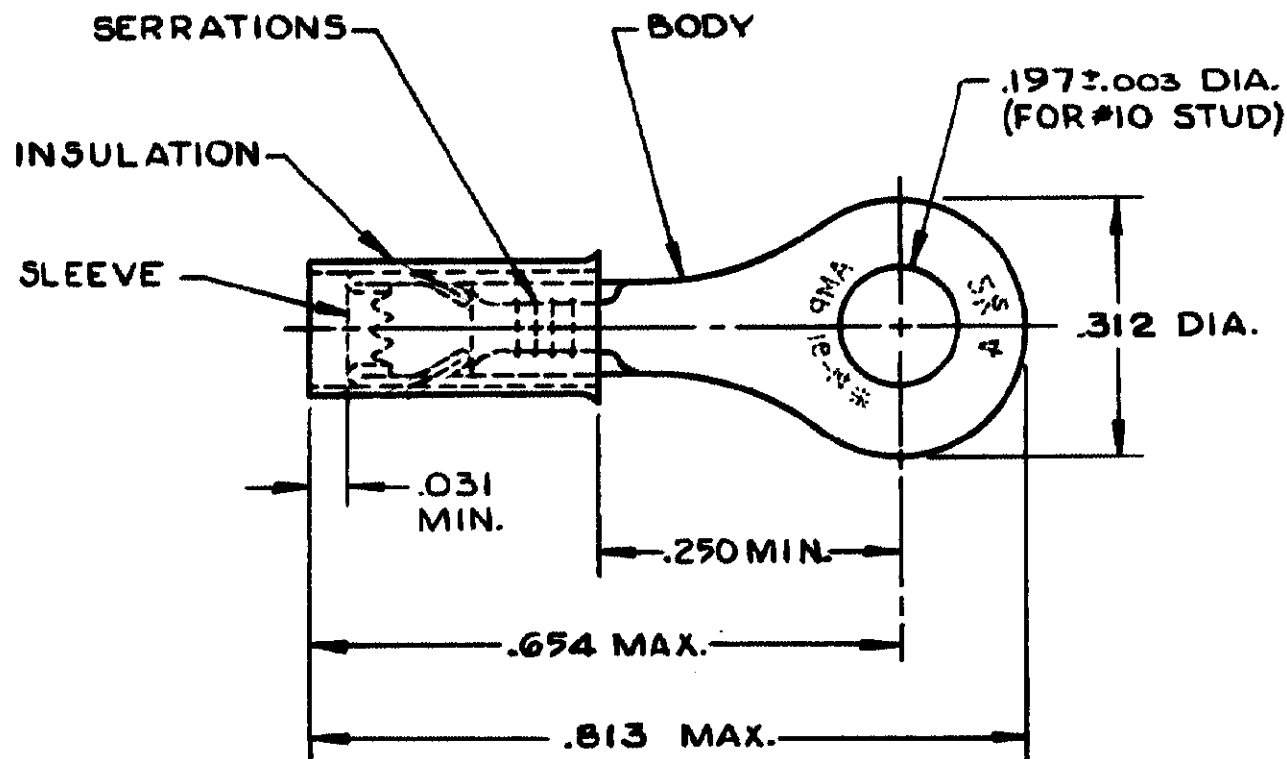


THIS DRAWING IS UNPUBLISHED. RELEASED FOR PUBLICATION

© COPYRIGHT 19 BY AMP INCORPORATED, HARRISBURG, PA. ALL INTERNATIONAL RIGHTS RESERVED. AMP PRODUCTS MAY BE COVERED BY U.S. AND FOREIGN PATENTS AND/OR PATENTS PENDING.

REVISIONS						
P	F	ZONE	LTR	DESCRIPTION	DATE	APPROVED
✓	✓		C	REDRAWN, REVISED PER G-147B, G-1175, P85-0119 / P85-0120	1/28/86	<i>Pjm</i>
✓	✓		D	OBSOLETE 2-222-3 / G-2393	7/24/87	<i>SS Pjm</i>
✓	✓		E	OBS. 322238 G-3864	1-30-89	<i>DKS Pjm</i>



- 1 WIRE INSULATION DIA. = .117 - .170
- 2 TONGUE MATERIAL THK. = .031 ± .002
- 3 BODY FINISH: TIN PLATE (MIL-T-10727) .000100 MIN THK.

<del>OBSOLETE</del>	<del>100</del>	<del>ON TAPE, SM. BOX</del>	<del>2-322238-3</del>
<del>OBSOLETE</del>	<del>1000</del>	<del>ON TAPE, LB. BOX</del>	<del>2-322238-2</del>
	5000	ON TAPE, REEL	2-322238-1
<del>OBSOLETE</del>	<del>---</del>	<del>LOOSE PIECE</del>	<del>322238</del>

UNLESS OTHERWISE SPECIFIED DIMENSIONS ARE IN INCHES. TOLERANCES ON:		CONTRACT NO		AMP   AMP INCORPORATED Harrisburg, Pa.	
DECIMALS ± .003	ANGLES ± —	DR UTA / RFB 10-1-85	NAME <b>TERMINAL, P.I.D.G., RING TONGUE WIRE SIZE: 16-14</b>		
MATERIAL INSULATION: PVC - BLUE	BODY & SLEEVE COPPER (QQ-C-776)	CHK <i>P. Mityalaugh 1/28/86</i>	APPD <i>Chai Kan Tran 01/30/86</i>	SIZE <b>B</b>	FSCM NO <b>00779</b>
FINISH BODY: 3	OTHER APPD	DSGN APPD	DRAWING NO <b>322238</b>	SCALE <b>NTS</b>	SHEET <b>1 OF 1</b>